



MUSE DOUBLE LIGHT acoustic suspended

091-122153GF

PROJECT

TYPE

NOTES

QUANTITY

DATE

GENERAL

Ceiling _____
 Suspended _____
 felt grey _____
 3470 lm/m _____
 IP20 _____
 4160 lm _____

LED

3000 K _____
 CRI ≥ 80 _____
 L90 / 50000 h _____
 initial ≤ 3 MacAdam _____

OPTICAL

UGR < 19 _____
 ≥65° <1500 cd/m² _____

PHYSICAL

Cable 1500 mm _____
 length 1600 mm _____
 width 646 mm _____
 height 700 mm _____
 9.5 kg _____

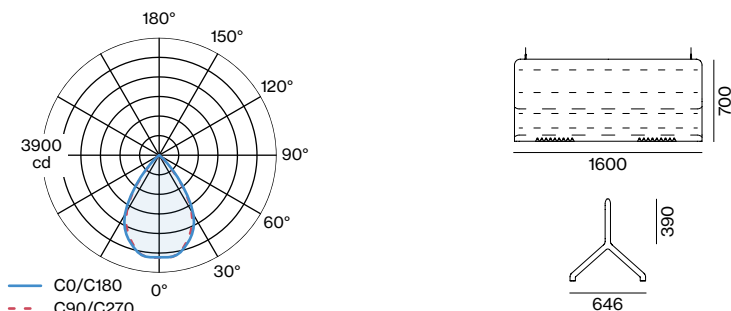
ELECTRICAL

DALI-2 _____
 41 W _____
 101 lm/W _____
 1 DALI Addr. _____
 PC1 220-240V _____
 34 W/m _____



Luminaire body made of high-quality, self-supporting polyester fleece with sound absorbing properties, consisting of 50% recycled PET; high-quality visual and tactile surface, felt grey; colour may deviate; constructed of 2 shells to form cavities that improve acoustic performance; large sound absorbing surface; suspended luminaire with 1500mm cable suspension; with integrated tool-less suspension height adjustment; spring clip attachment to the luminaire; freely positionable; incl. transparent feed; optimised for the illumination of 2 office workstations opposite each other; light inset made from extruded profile for improved thermal management; light colour 3000 K; Binning initial ≤ 3 MacAdam; CRI ≥ 80; min. 90% of luminous flux after 50000 operating hours; energy efficient LEDs with high CRI; high-quality, chromed reflector with faceted design; blind covers in gray; UGR ≤ 19; VDU compatible workplace luminaire according to DIN EN 12464-1; luminance above 65° ≤ 1500 cd/m²; degree of protection IP20; PC1 220-240V; internal wiring in light halogen free; incl. DALI-2 converter;

Light Distribution



[091-122153GF] The technical data represent rated values for an ambient temperature of 25°C. The data values for the luminous flux are initially subject to a tolerance of +/- 10%, those for the electrical connected load are initially subject to a tolerance of +/- 10%, and those for the colour temperature are initially subject to a tolerance of +/- 150 K. No liability is assumed for typographical or printing errors. The general terms and conditions of XAL GmbH apply.
 © XAL GmbH · Auer-Welsbach-Gasse 36 · 8055 Graz · Austria · www.xal.com



MUSE DOUBLE LIGHT acoustic suspended

091-122153GF

Circuit Breaker Types

Automatic Circuit Breaker Type	Number of Fixtures
B10	7
B13	10
B16	12
B20	14
C10	10
C13	20
C16	24
C20	28

Maintenance Factors

Operating Time [h]	10 000	20 000	30 000	40 000	50 000
LLMF	0.98	0.95	0.93	0.91	0.9
LSF	1	1	1	1	1

MF	$LMF \times RSMF \times LLMF \times LSF$	RSMF ^a	Room Surface Maintenance Factor
MF	Maintenance Factor	LLMF	Lamp Lumens Maintenance Factor
LMF ^a	Luminaire Maintenance Factor	LSF	Lamp Survival Faktor

^a According to "CIE 97, Maintenance of indoor electric lighting systems", 2005, ISBN 3-900-734-34-8. The values must be determined by the planner.